

SMART Board QX Pro series with iQ

SBID-QX265-P
 SBID-QX275-P
 SBID-QX286-P



Display	
Screen sizes (diagonal)	65", 75", 86"
Backlight	LED
Aspect ratio	16:9
Maximum display resolution	4K UHD (3840 × 2160)
Refresh rate	60 Hz
Lifespan	≥ 50,000 hours
Brightness (maximum)	≥ 490 cd/m ²
Response time	≤ 8 ms
Viewing angle	178°
Glass	Optically bonded anti-glare and anti-fingerprint heat tempered glass
Frame color	Black
Convenience buttons	Home, power, volume, microphone mute, freeze frame
Sensors	Proximity, ambient light, infrared, room temperature, humidity, volatile organic compound (VOC), Particulate Matter (PM _{2.5}) ¹

Audio	Integrated soundbar featuring two 20 W speakers and a 15 W subwoofer Integrated linear eight-microphone array with visual mute status indicator and support for onboard acoustic echo cancellation
Video	4K, 8.28MP, ePTZ with 10x Digital Zoom, 120FOV
NFC	Integrated RFID NFC reader/writer CCID (chip card interface device) when used with a native driver for operating systems (Windows/Linux/Mac) Supported protocols: ISO 14443A/B, ISO 15693, NFC Tag 1-4

Interactive experience	
Touch technology	HyPr Touch™ with Advanced IR
Touch features	Simultaneous Tool Differentiation Object Awareness™ Pen ID™ Silktouch™ Pressure Sensitive Ink Palm rejection
Typical response time	≤ 4 ms
Frame rate	≥ 300 Hz
Accuracy	1 mm

© 2023 SMART Technologies ULC. All rights reserved. SMART Board, SMART Ink, HyPr Touch, Tool Explorer, SMART TeamWorks, SMART Meeting Pro, Object Awareness, Pen ID, Silktouch, smarttech, the SMART logo and all SMART taglines are trademarks or registered trademarks of SMART Technologies ULC in the U.S. and/or other countries. Android and Chrome OS are trademarks of Google Inc. The Bluetooth word mark is owned by the Bluetooth SIG, Inc. and any use of such marks by SMART Technologies ULC is under license. The Adopted Trademarks HDMI, HDMI High-Definition Multimedia Interface, and the HDMI Logo are trademarks or registered trademarks of HDMI Licensing Administrator, Inc. in the United States and other countries. All other third-party product and company names may be trademarks of their respective owners. This product and/or use thereof is covered by one or more of the following U.S. patents: www.smarttech.com/patents. Models and specifications may vary by region. Please contact your local representative for details. Contents are subject to change without notice. July 19, 2023.

¹The display's environmental sensors are not life safety rated sensors: they provide general information only.

Interactive experience (continued)	
Minimum object size	2 mm
Multitouch capabilities	40 – Windows® 20 – Mac and Android™ 10 – Chrome OS™
Tools included	Pens with unique IDs and fine erasers (x2) Erasers with angle of orientation (x2)
Tool holders	Intelligent, magnetic, frame-mounted

Software	
iQ built-in Android™ experience	Included
SMART Ink® and SMART Product Drivers	Included
SMART Meeting Pro® Room license	Included
SMART Meeting Pro Personal licenses (x10)	Included
SMART TeamWorks™	Optional
SMART Ink® and SMART Product Drivers	Included
SMART Remote Management	Subscription for length of the included warranty

iQ built-in Android experience	
Operating system	Android version 11
Memory	8 GB DDR
Storage	32 GB (up to 544 GB)
Digital whiteboard	✓
Web browser	✓
Screen sharing	✓
Other features	Customizable home screen Live input preview File and app libraries Google Drive™ and OneDrive™ access
Object Awareness supported	✓
Ability to run third-party applications	✓
Cloud storage access	✓
NFC sign in to a SMART account	✓
Languages supported	Basque, Catalan/Valencian, Chinese (simplified), Chinese (traditional), Czech, Danish, Dutch,

	English, Estonian, Finnish, French, Galician, German, Greek, Hungarian, Italian, Japanese, Korean, Latvian, Lithuanian, Norwegian, Polish, Portuguese, Romanian, Russian, Slovak, Slovenian, Spanish, Swedish, Ukrainian, Vietnamese, Welsh
Updates	Automatic over-the-air (OTA)

PC computing	
OPS support	✓
OPS-C support	✓
PC module power supported OPS	100 W
Optional computing modules	SMART OPS PC with Windows 10 Pro

Inputs	Front	Back
OPS PC accessory slot (100 W devices)	–	1
MicroSD slot with security cover	–	1
HDMI® 2.1 with HDCP 1.4 and HDCP 2.3 support	1	2
VGA video	–	1
Stereo 3.5 mm (variable)	–	1
RS-232 (DB-9 connector)	–	1
RJ45 (LAN IN)	–	1
USB Type-C 4K @ 60Hz, Display Port 1.2, USB 2.0 (UFP) for touch and digital audio, USB 3.2 Gen 1 (DFP) for peripherals; 65 W power delivery	1	1
USB Type-C, SuperSpeed (5 Gbps); 15 W power delivery	–	1
USB 2.0 Type-A	–	1
USB 3.2 Gen 1 Type-A (1 x front and 1 x back are switched to an active input)	1	2
USB 3.2 Gen 1 Type-B	1	3

Outputs	Front	Back
HDMI 2.1 with HDCP 1.4 and HDCP 2.3 Support	–	1
Stereo 3.5 mm (variable)	–	1
S/PDIF optical (fixed)	–	1
RJ45 (LAN OUT)	–	1

Included cables and accessories	Qty
Country-specific power cable	1
16' 5" (5 m) USB 2.0 Type A to B cable	1
6' (1.8 m) USB Type-C, USB4, 100 W, cable	1

Included cables and accessories	Qty
Pens (red and black)	2
Erasers	2
External dual-band 2.4 and 5 GHz antennae	3
Remote control	1
AAA batteries	2
Wall mount	1
SMART Ultra HD Camera with mounting and cable accessories	1
Illustrated installation instructions	1
Important information document	1

Connectivity

Wired	RJ45 (x2) 1000baseT
Wi-Fi	IEEE 802.11ax (Wi-Fi 6) supporting WEP, WPA, WPA2, PSK, WPA3, and 802.1X EAP authentication protocols
Bluetooth	5.2 dual mode

Storage and operating requirements

Power requirements	100V to 240V AC, 50 Hz to 60 Hz
Operating temperature	41–95°F (5–35°C)
Storage temperature	-4–140°F (-20–60°C)
Humidity	5–80% relative humidity, non-condensing

Power consumption

Typical	65": 115 W 75": 117 W 86": 135 W
Standby	<0.5 W

Certification and compliance*

Regulatory models	IDQX65-1, IDQX75-1, and IDQX86-1
US / Canada	UL, FCC, ISED, TSCA, CONEG Packaging, Proposition 65
EU / EEA / EFTA / UK	CE, UKCA, LVD, CB, EMCD, RED, REACH, RoHS, Battery, WEEE, Packaging, POP, Ecodesign
Australia / New Zealand	RCM
Performance standards	ENERGY STAR®, HDMI

*Product availability may vary by region.

This product has received additional certifications not listed here.

Purchasing information

Order numbers

SBID-QX265-P	SMART Board® QX065 Pro interactive display with iQ
SBID-QX275-P	SMART Board QX075 Pro interactive display with iQ
SBID-QX286-P	SMART Board QX086 Pro interactive display with iQ
TW-SW-1	SMART TeamWorks™ Room perpetual software includes 1 year maintenance
TW-SW-5	SMART TeamWorks Room perpetual software includes 5 year maintenance

Optional accessories

See smarttech.com/accessories

Warranty

SMART Assure or Limited Equipment warranty	Terms and conditions and warranty upgrade options vary by region. Visit smarttech.com/warranty or contact your local reseller or distributor for information.
---	--

Cable requirements

HDMI	Certified premium high speed HDMI (18 Gbps) Maximum length: 23' (7 m)
USB 2.0	USB 2.0 certified Hi-Speed (480 Mbps) support Maximum length: 16' (5 m)
USB 3.0	USB 3.0 certified SuperSpeed (5 Gbps) support Maximum length: 9' (3 m)
USB Type-C	USB 3.2 Gen 1 certified SuperSpeed (5 Gbps) support Maximum length: 6' (2 m)
More information	See smarttech.com/kb/171874



Copivarela - Equipamentos de Escritório, Lda.

Rua Fernando Cabral 12 - A Lumiar
1750-329 Lisboa - PORTUGAL

Tel.: (+351) 21 988 50 40
Email: comercial@copivarela.pt
Site: www.copivarela.pt

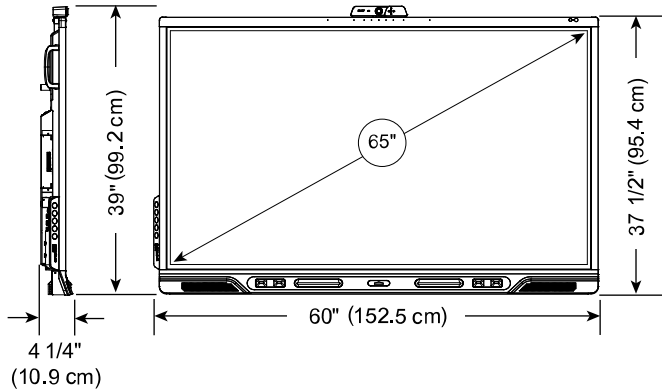
Installation, dimensions, and weights

Notes

- All dimensions ± 1/8" (0.3 cm). All weights ± 2 lb. (0.9 kg).
- Product ships upright.
- Leave space around the display to ensure adequate ventilation. See the *SMART Board QX Pro installation and maintenance guide* (smarttech.com/kb/171874) for the specific space requirements.

SBID-QX265-P

Dimensions



Weight

92.6 lb. (42 kg)

Shipping dimensions (including pallet)

65 1/2" x 46" x 7 1/8"
(166.5 cm x 117 cm x 18 cm)

Shipping weight

108 lb. (49 kg)

VESA mount

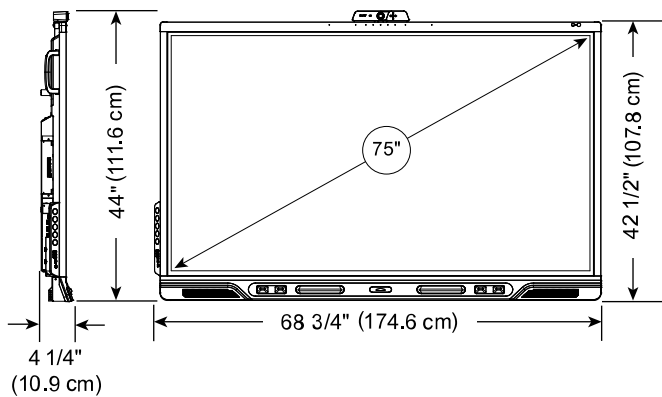
M8, 600 x 400 mm

Handles

2

SBID-QX275-P

Dimensions



Weight

124 lb. (56 kg)

Shipping dimensions (including pallet)

74 5/8" x 50 7/8" x 7 1/8"
(189.5 cm x 129.3 cm x 18 cm)

Shipping weight

147 lb. (67 kg)

VESA mount

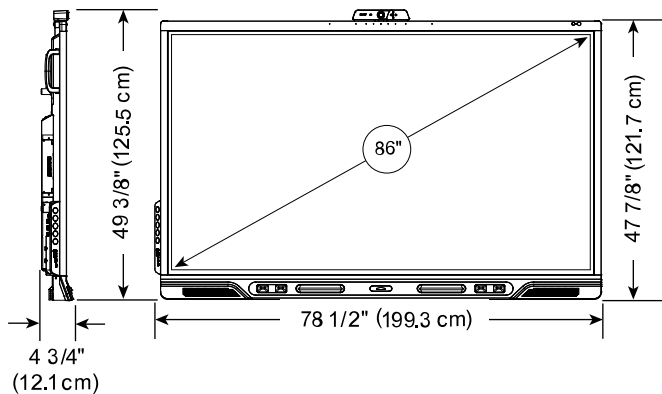
M8, 800 x 400 mm

Handles

2

SBID-QX286-P

Dimensions



Weight

154 lb. (70 kg)

Shipping dimensions (including pallet)

84 1/4" x 57 1/4" x 7 5/8"
(214 cm x 145.4 cm x 19.5 cm)

Shipping weight

190 lb. (86 kg)

VESA mount

M8, 800 x 600 mm

Handles

2



Copivarela - Equipamentos de Escritório, Lda.

Rua Fernando Cabral 12 - A Lumiar
1750-329 Lisboa - PORTUGAL

Tel.: (+351) 21 988 50 40
Email: comercial@copivarela.pt
Site: www.copivarela.pt